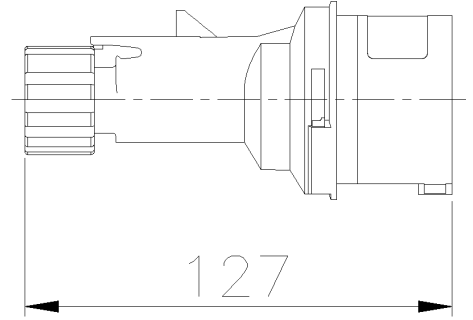




**SERIES MULTIMAX
PLUG**
CODE 700126



Datasheet

Electrical characteristics

Rated current	16A
Supply Voltage	230V 50/60Hz ●
Poles	2P+ \perp
Clock Position	6h
Rated insulation voltage	690 V
Signal plug inserted	-

Reference Standards and Directives

Certification and approval marks	CB IMQ, NYCE COLOMBIA, CE, UKCA, IMQ
Directives	2011/65/EU (RoHS), 2014/35/EU (LVD)
Reference Standards	EN IEC 60309-1:2022, EN IEC 60309 -1:2022/AC:2023-06, EN IEC 60309-2:2022, EN IEC 63000:2018

Mechanical characteristics

Manufacturing material	Technopolymer Recyclable Palazzoli
Alveolus/plugs treatment	-
Color	Grey RAL 7042
Tightening diameter	8÷13 mm
Execution	Mobile
IP Protection degree	IP44
Additional IPdegree protection	-
Shock resistance	IK08 according to IEC/EN 62262
Resistance to Glow wire	850°C
Flame rating according UL94	V-2
Terminals type	Screw - direct tightening
Conductors section (Cu)	Min: 1 mm ² ;Max: 6 mm ²
Terminal tightening torque	1,8 Nm
Net Weight	0.11 KG
Working Environment Temp.	Min: -25°C ;Max: +50°C
Warehousing Temperature	Min: -30°C ;Max: +70°C

The images are purely indicative. Palazzoli reserves the right to make changes without notice.